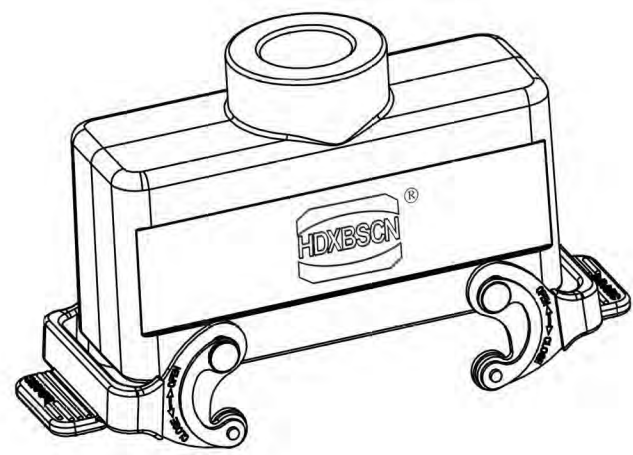


技术参数:

- 材料: 压铸铝
- 表面处理: 粉末喷涂
- 颜色: RAL 7037 (灰色)
- 温度范围: -40℃ - +125℃
- 防护等级: IP65
- 出线方向: 顶出线
- 出线孔数: 1
- 螺纹规格: M25
- 联锁元件:
  - 锁扣方式: 金属双扣
  - 材料: 不锈钢+软胶

Technical specification:

- Material: aluminium die-cast
- Surface: powder-coated
- Colour: RAL 7037(grey)
- Temperature range: -40℃ - +125℃
- Degree of protection: IP65
- Cable entry: top entry
- No. of cable entries: 1
- Thread size: M25
- Locking element:
  - Locking type: double locking latch
  - material: stainless steel+TPR



|               |              |                  |            |                 |            |                |      |   |              |   |                   |
|---------------|--------------|------------------|------------|-----------------|------------|----------------|------|---|--------------|---|-------------------|
|               |              |                  |            |                 |            | 表面处理<br>Finish |      | -   |              | 图号<br>Drawing No.   | -                 |
|               |              |                  |            |                 |            | 材料<br>Material |      | -   |              | 产品代号<br>Part Code   | H16B-TGB-M25      |
| 标记<br>Mark    | 处数<br>Number | 变更描述/Description |            | 签名<br>Signature | 日期<br>Date | 比例<br>Scale    |      | 版本<br>REV.  | 重量<br>Weight | 数量<br>Qty.  | 产品料号<br>Part No.  |
| 绘图<br>Drawn   |              | 姓名/Name          | 日期/Date    | 姓名/Name         | 日期/Date    | 2:3            | V1.0 | 284g  | -            |   | 1260160125        |
| 审核<br>Checked |              |                  | 18.10.2010 |                 |            |                |      |   |              |   | 产品名称<br>Part Name |
| 工艺<br>Process |              |                  |            | 批准<br>Approved  | 18.10.2010 |                |      |   |              |   | -                 |
|               |              |                  |            |                 |            |                |      |   All Dimensions in mm<br>Original Size DIN A 4 |              |  浙江西霸士电气有限公司 |                   |