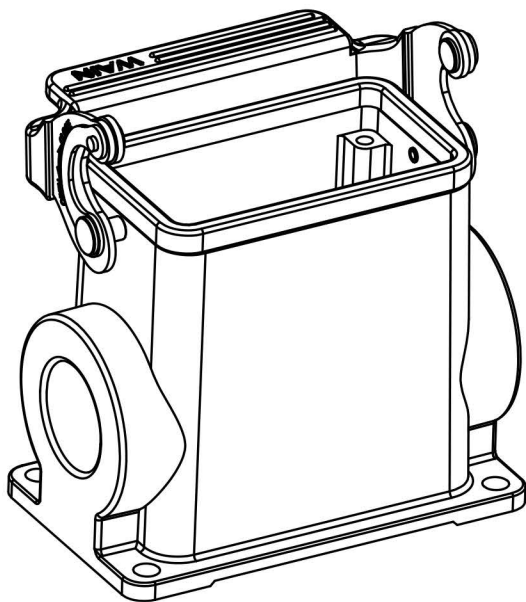


技术参数:

- 材料: 压铸铝
- 表面处理: 粉末喷涂
- 颜色: RAL 7037 (灰色)
- 温度范围:  $-40^{\circ}\text{C} - +125^{\circ}\text{C}$
- 防护等级: IP65 (联锁状态, IEC 60529)
- 联锁元件:
  - 锁扣方式: 金属单扣
  - 材料: 不锈钢+软胶
- 密封元件: NBR
- 出线方向: 侧出线
- 出线孔数: 2
- 螺纹规格: PG29

Technical specification:

- Material: aluminium die-cast
- Surface: powder-coated
- Colour: RAL 7037(grey)
- Temperature range:  $-40^{\circ}\text{C} - +125^{\circ}\text{C}$
- Degree of protection: IP65  
(acc.to IEC 60529 for coupled connector)
- Locking element:
  - Locking type: single locking latch
  - material: stainless steel+TPR
- Hoods/Housings sealing: NBR
- Cable entry: side entry
- No. of cable entries: 2
- Thread size: PG29



|               |              |                  |                |         |                 |                |            |   |                  |                   |                    |
|---------------|--------------|------------------|----------------|---------|-----------------|----------------|------------|---|------------------|-------------------|--------------------|
|               |              |                  |                |         |                 | 表面处理<br>Finish | -          |   |                  | 图号<br>Drawing No. | -                  |
|               |              |                  |                |         |                 | 材料<br>Material | -          |   |                  | 产品代号<br>Part Code | H10B-SGRH-LB-2PG29 |
| 标记<br>Mark    | 处数<br>Number | 变更描述/Description |                |         | 签名<br>Signature | 日期<br>Date     |            |   | 产品料号<br>Part No. | 1650100229        |                    |
|               | 姓名/Name      | 日期/Date          |                | 姓名/Name | 日期/Date         | 比例<br>Scale    | 版本<br>REV. | 重量<br>Weight                                  | 数量<br>Qty.       | 产品名称<br>Part Name | -                  |
| 绘图<br>Drawn   |              | 18.10.2010       | 标准化<br>Stand.  | -       | -               | 2:3            | V1.0       | 373g  | -                |                   |                    |
| 审核<br>Checked |              | 18.10.2010       |                |         |                 |                |            |   |                  |                   |                    |
| 工艺<br>Process | -            | -                | 批准<br>Approved |         | 18.10.2010      |                |            | All Dimensions in mm<br>Original Size DIN A 4 |                  | 浙江西霸士电气有限公司       |                    |